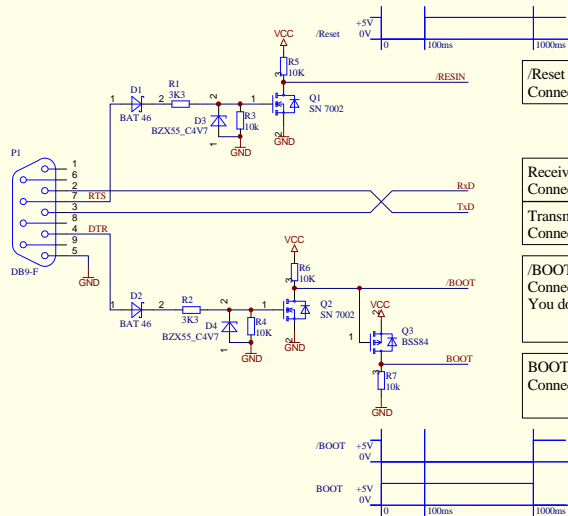


Schematic for handshake signals to use with PHYTEC FlashTools3

Use here an extension serial cable
(NOT a null modem cable!)



/Reset Signal (LOW Active)
Connect with /Reset input pin on your modul

Receive Data
Connect with R0D pin on your modul

Transmit Data
Connect with T0D pin on your modul

/BOOT Signal (LOW Active)
Connect with /BOOT pin on your modul, if your modul need a low active boot signal.
You don't need the part with Q3 if you use only the low active /BOOT signal

BOOT Signal (HIGH Active)
Connect with BOOT pin on your modul, if your modul need a high active boot signal.

