

# molex® 0.635mm (.025") Pitch Board-to-Board Plug

## 53467/53645 SMT, Dual Row Vertical Stacking

### FEATURES AND SPECIFICATIONS

#### Features and Benefits

- Stacking height: 6.0 and 12.0mm
- Sizes 20 to 240 circuits
- Housing lock on 20 to 70 circuits
- Anti-flux design
- Metal solder tabs provide PCB hold down and strain relief for SMT tails
- Polarizing pegs assist placement

#### Reference Information

Packaging: Tube and embossed tape  
 Mates With: 52760 (H=6.0mm)  
 52837 (H=12.0mm)

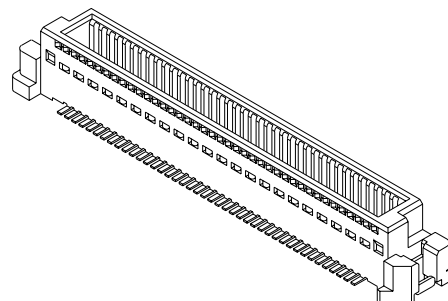
Designed In: Millimeters

#### Electrical

Voltage: 100V  
 Current: 0.5A  
 Contact Resistance: 40mΩ max. (H=6.0mm)  
 60mΩ max. (H=12.0mm)  
 Dielectric Withstanding Voltage: 250V  
 Insulation Resistance: 1000 MΩ min.

#### Physical

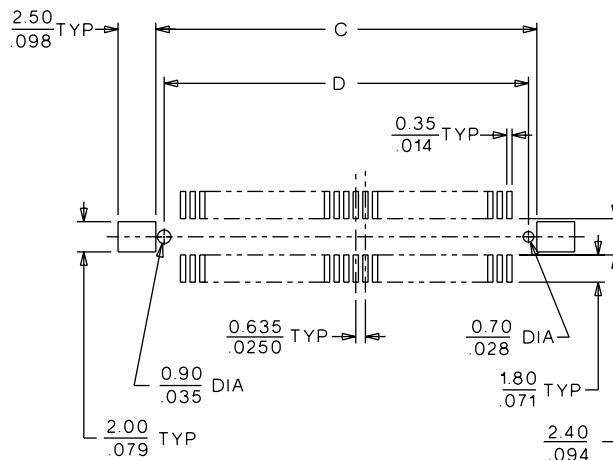
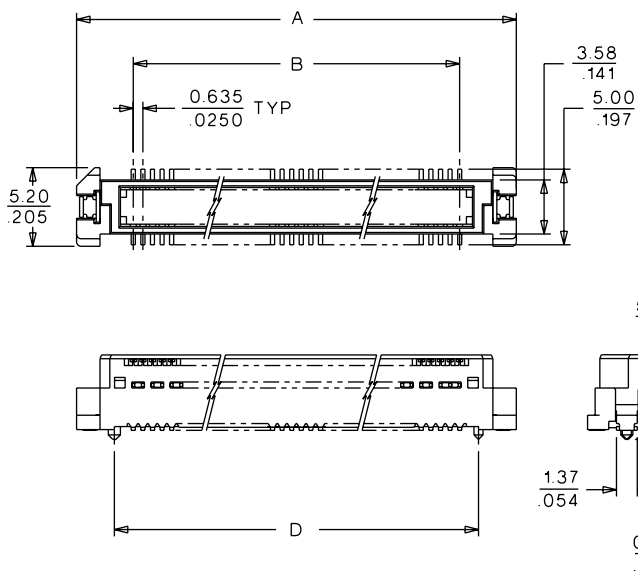
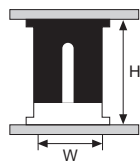
Housing: White glass-filled LCP, UL 94V-0  
 Contact: Copper Alloy  
 Plating: Gold over Nickel  
 Temperature: -55 to +85°C



Micro Connectors

#### Mating Dimensions

- 53467 • 52760  
 H=6.0mm W=6.4mm
- 53467 • 52837  
 H=12.0mm W=6.4mm



PCB LAYOUT : COMPONENT SIDE

Note: 53467 shown

### ORDERING INFORMATION AND DIMENSIONS

Circuits	Order No.			Dimension			
	Tube	Tube with Cover	Embossed Tape with Cover	A	B	C	D
20	53467-0209		53645-0204	13.22 (.520)	5.715 (.220)	9.32 (.360)	8.22 (.320)
30	53467-0309		53645-0304	16.40 (.640)	8.890 (.340)	12.50 (.490)	11.40 (.440)
40	53467-0409			19.57 (.770)	12.065 (.470)	15.67 (.610)	14.57 (.570)
50	53467-0509			22.75 (.890)	15.240 (.590)	18.85 (.740)	17.75 (.690)
60	53467-0609			25.92 (1.020)	18.415 (.720)	22.02 (.860)	20.92 (.820)
68	53467-0689			28.46 (1.120)	20.955 (.820)	24.56 (.960)	23.46 (.920)
70	53467-0709			29.10 (1.140)	21.590 (.840)	25.20 (.990)	24.10 (.940)
80	53467-0809			32.27 (1.270)	24.765 (.970)	28.37 (1.110)	27.27 (1.070)
90	53467-0909			35.45 (1.390)	27.940 (1.090)	31.55 (1.240)	30.45 (1.190)
100	53467-1009			38.62 (1.520)	31.115 (1.220)	34.72 (1.360)	33.62 (1.320)
120	53467-1209	53645-1205		44.97 (1.770)	37.465 (1.470)	41.07 (1.610)	39.97 (1.570)
140	53467-1409			51.32 (2.020)	43.815 (1.720)	47.42 (1.860)	46.32 (1.820)
160	53467-1609		53645-1604	57.67 (2.270)	50.165 (1.970)	53.77 (2.110)	52.67 (2.070)
180	53467-1809			64.02 (2.520)	56.515 (2.220)	60.12 (2.360)	59.02 (2.320)
200	53467-2009			70.37 (2.770)	62.865 (2.470)	66.47 (2.610)	65.37 (2.570)
240	53467-2409			83.07 (3.270)	75.565 (2.970)	79.17 (3.110)	78.07 (3.070)

Note: Use only one connector per daughterboard in order to insure proper mating alignment

Note: Contact Inside Sales for embossed tape specifications