

# 10BASE-T LAN MAGNETICS

## Single Port Transformer Modules

LM00504

- Transformer turns ratio RX 1CT : 1CT and TX 1CT : 1.41CT
- Single-port modules available with and without common mode chokes
- Utilizes standard packaging
- Low profile, surface mount packaging rated to 225° C peak IR reflow temperature
- Operating temperature 0° to 70° C
- Minimum interwinding breakdown voltage of 2000 Vrms

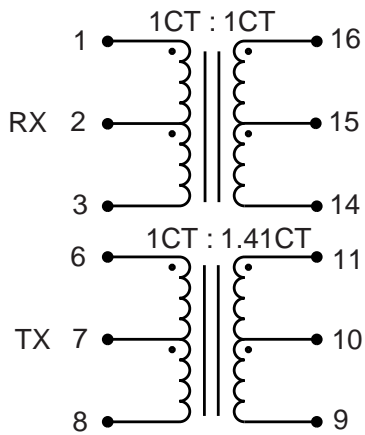
### ELECTRICAL SPECIFICATIONS AT 25° C

Part Number	Insertion Loss dB max	OCL μH min	Return Loss dB min	Common to Common Mode Rejection dB min		Crosstalk dB min
	1MHz to 10MHz		1MHz to 10MHz	10MHz to 30MHz	30MHz to 100MHz	1MHz to 10MHz
<b>Transformers Only</b>						
A553-0716-00	-1.0	140	-18	---	---	-40
S553-0716-00	-1.0	140	-18	---	---	-40
<b>Transformers and Common Mode Chokes</b>						
S553-5999-08	-1.0	110	-15	-40	-30	-40
S553-5999-37	-1.0	200	-15	-40	-30	-40
S556-5999-26	-1.0	110	-15	-40	-30	-40

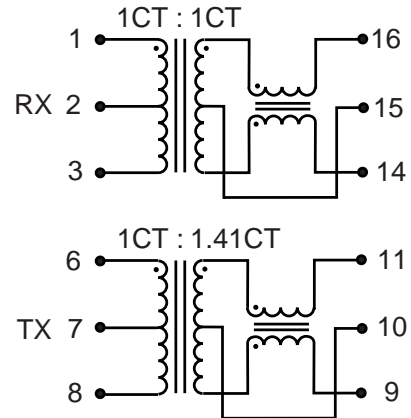
LM00504

#### SCHEMATICS

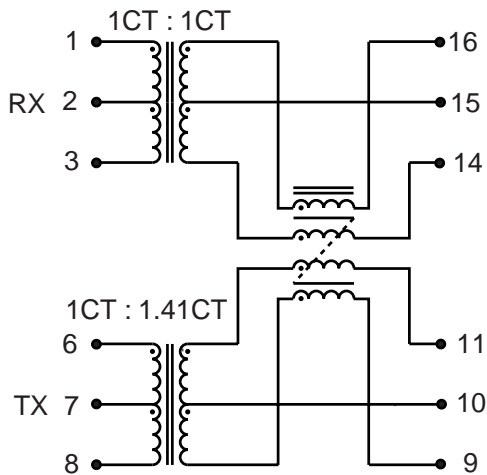
A553-0716-00  
S553-0716-00



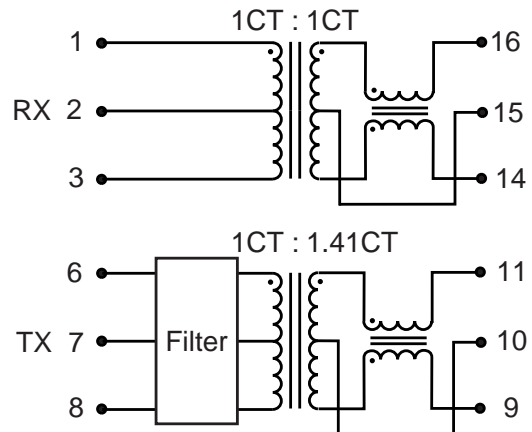
S553-5999-08



S553-5999-37



S556-5999-26

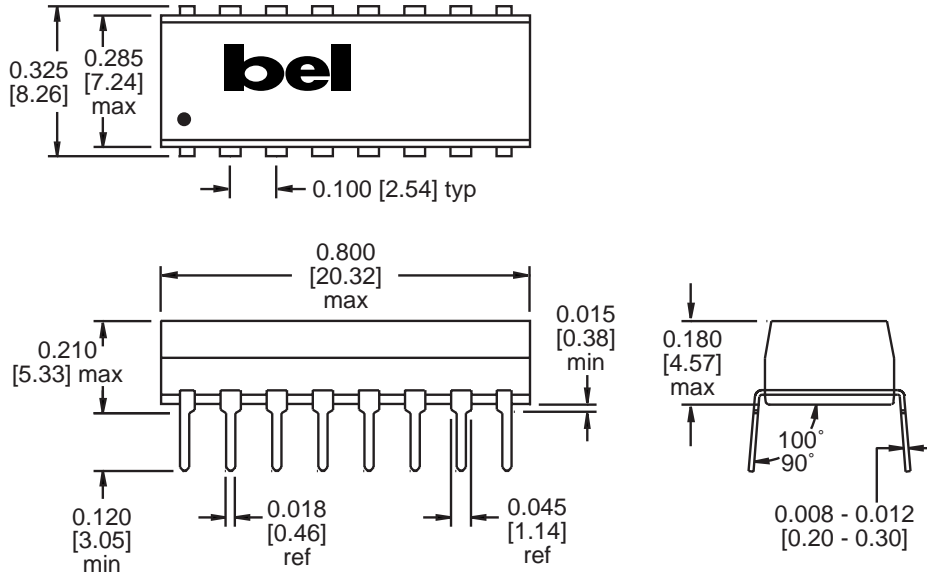


# 10BASE-T LAN MAGNETICS

## Single Port Transformer Modules

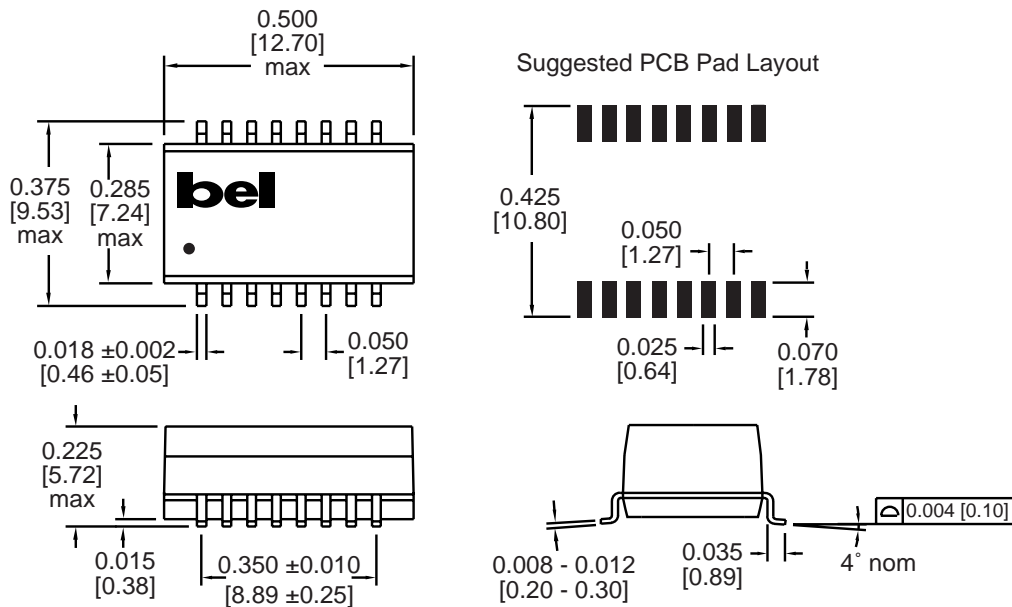
### MECHANICALS

A553-0716-00



Dimensions are in inches [millimeters].  
Standard dimension tolerance is  $\pm 0.005$  [0.13] unless otherwise noted.

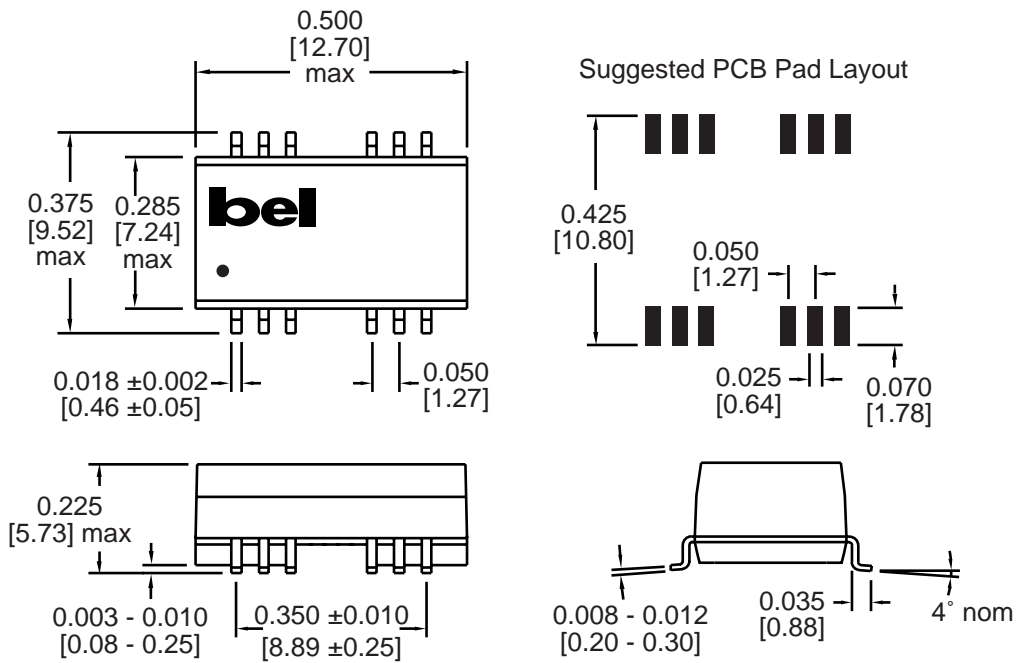
S553-0716-00  
S553-5999-08  
S553-5999-37



Dimensions are in inches [millimeters].  
Standard dimension tolerance is  $\pm 0.005$  [0.13] unless otherwise noted.

### MECHANICALS

S556-5999-26



Dimensions are in inches [millimeters].  
Standard dimension tolerance is  $\pm 0.005$  [0.13] unless otherwise noted.

©2000 Bel Fuse Inc. Specifications subject to change without notice. 01.00

#### CORPORATE

**Bel Fuse Inc.**  
198 Van Vorst Street  
Jersey City, NJ 07302  
Tel 201-432-0463  
Fax 201-432-9542  
www.belfuse.com

#### FAR EAST

**Bel Fuse Ltd.**  
8F / 8 Luk Hop Street  
San Po Kong  
Kowloon, Hong Kong  
Tel 852-2328-5515  
Fax 852-2352-3706  
www.belfuse.com

#### EUROPE

**Bel Fuse Europe Ltd.**  
Preston Technology Management Centre  
Marsh Lane, Suite F23, Preston  
Lancashire, PR1 8UD, U.K.  
Tel 44-1772-556601  
Fax 44-1772-888366  
www.belfuse.com