

REVISION

0	SW	L MURDACA
9/29/2014	ECN-237004	ISSUE FOR REVIEW.
A	SW	M Rodriguez
10/20/2014	ECN-238284	RELEASE REF-183457-03 FOR PRODUCTION. BOM CHG ITEM 4 TO TY-REF002. CHG ITEM 5 TO CT-ASP4293MS. SHT 2: ADD TR PACKAGING VIEW.

NOTES:

- 70 POSITION NOT AVAILABLE AS STANDARD.
- $\langle \text{C-X-XX} \rangle$ REPRESENTS A CRITICAL DIMENSION.
- MAXIMUM VARIANCE: .002[0.05].
- MINIMUM PUSHOUT FORCE: 6 OZ.
- PIN CAN EXTEND PAST THE WALL: .003[0.08].
- AVAILABLE ON -02 & -03 ONLY.
- AVAILABLE ON -01 & -02 ONLY.
- AVAILABLE ON -03 ONLY.
- SEE TABLE 1 FOR PACKAGING.

TABLE 1	
-XX	PACKAGING
-01	TRAY
-02	TRAY
-03	TAPE & REEL

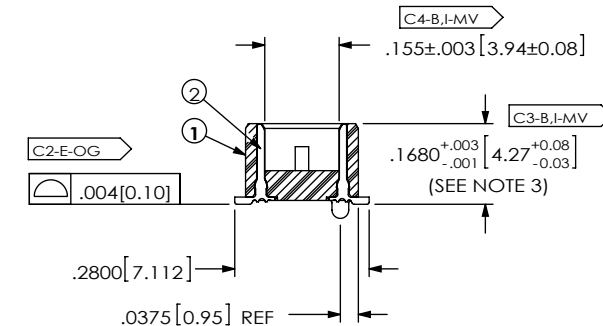
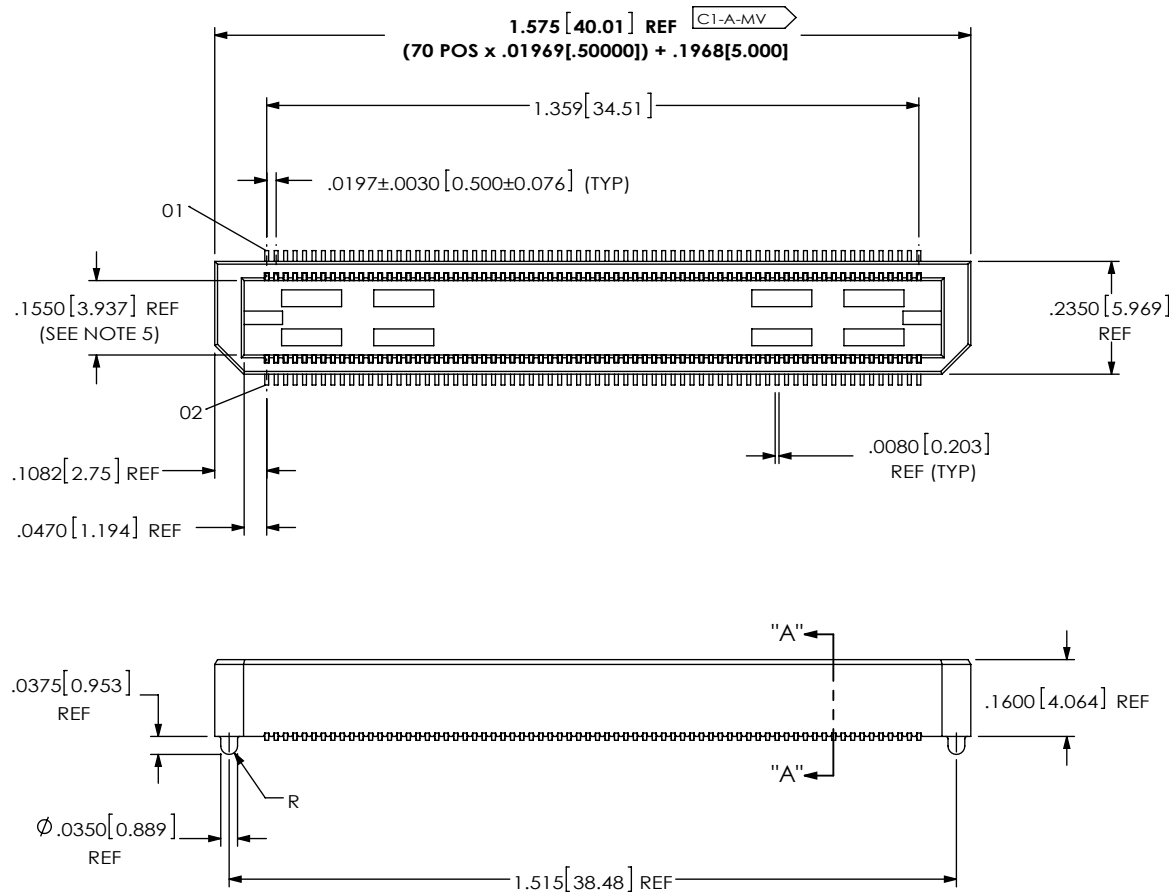


FIG 1
REF-183457-01 SHOWN

SECTION "A"-"A"

BY SIGNING THIS DOCUMENT YOU ARE ACCEPTING THE CONDITIONS SET WITHIN. YOUR REQUIREMENTS MUST BE LISTED WITHIN THIS DRAWING. WHERE NO DIRECTION FROM THE CUSTOMER IS IDENTIFIED SAMTEC'S PROCESS REQUIREMENTS WILL BE USED.

DATE: _____
 COMPANY: _____
 CUSTOMER SIGNATURE: _____
 PRINTED NAME: _____
 PHONE No: _____
 EXCEPTIONS: _____

ITEM NO.	PART NUMBER	QUANTITY	MATERIAL
1	BTH-070-01-D-A	1.0000	VECTRA E130i, COLOR: BLACK
2	T-1S39-01-L	140.00	PHOS BRONZE, 510 SPRING TEMPER
3	K-DOT-.276-.375-.005	1.0000	POLYIMIDE FILM
4	TY-REF002	1.0000	BLACK HIPS A
5	CT-ASP4293MS	1.0000	CONDUCTIVE POLYMER A

- ← SEE NOTE 6
- ← SEE NOTE 7
- ← SEE NOTE 8

UNLESS OTHERWISE SPECIFIED, DIMENSIONS ARE IN INCHES. TOLERANCES ARE:
 DECIMALS ANGLES
 .XX: ±.01[.3] 2°
 .XXX: ±.005[.13]
 .XXXX: ±.0020[.051]

PROPRIETARY NOTE
 THIS DOCUMENT CONTAINS INFORMATION CONFIDENTIAL AND PROPRIETARY TO SAMTEC, INC. AND SHALL NOT BE REPRODUCED OR TRANSFERRED TO OTHER DOCUMENTS OR DISCLOSED TO OTHERS OR USED FOR ANY PURPOSE OTHER THAN THAT WHICH IT WAS OBTAINED WITHOUT THE EXPRESSED WRITTEN CONSENT OF SAMTEC, INC.



520 PARK EAST BLVD, NEW ALBANY, IN 47150
 PHONE: 812-944-6733 FAX: 812-948-5047
 e-Mail info@SAMTEC.com code 55322

DO NOT SCALE DRAWING SHEET SCALE: 2.5:1
 PLATING:
 CONTACT AREA: .000010 GOLD OVER .000050 NICKEL
 REMAINDER: .000200 REF TIN OVER .000050 NICKEL

DESCRIPTION:
 MODIFIED .5MM DOUBLE ROW TERMINAL ASM
 DWG. NO.
REF-183457-XX
 BY: SHERRY W 09/29/2014 SHEET 1 OF 2

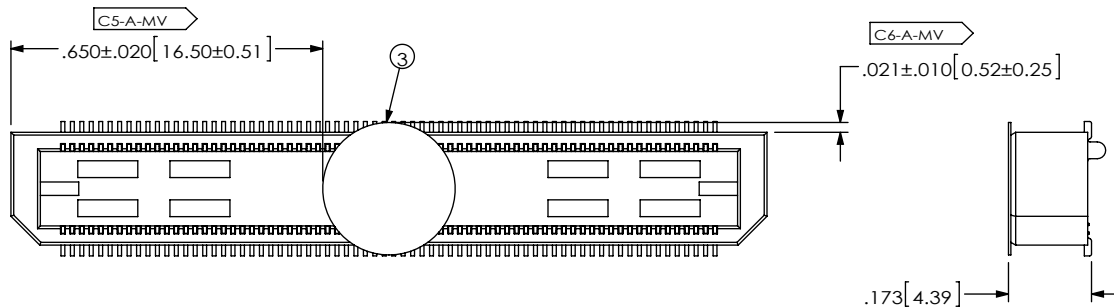
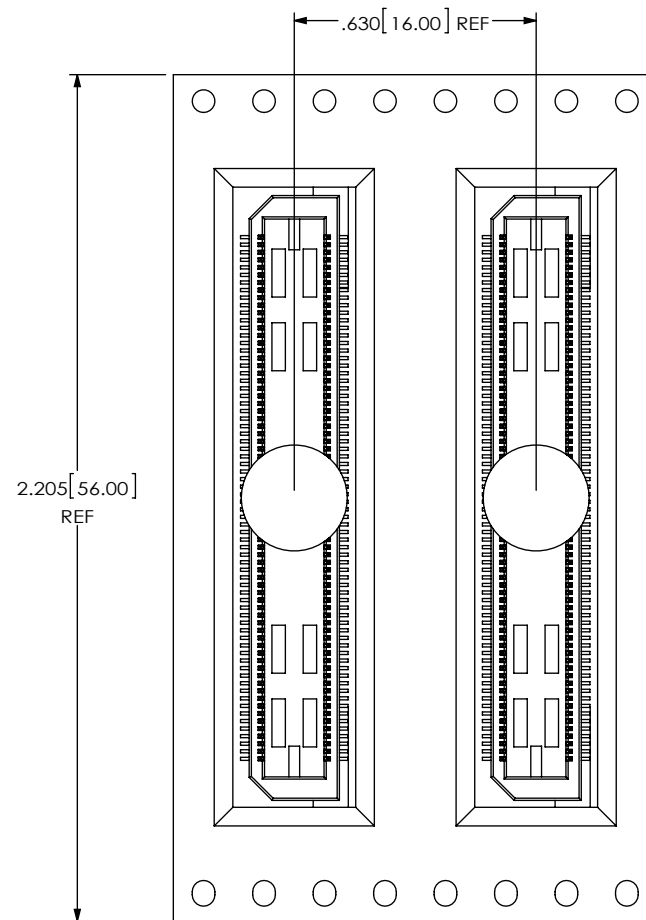
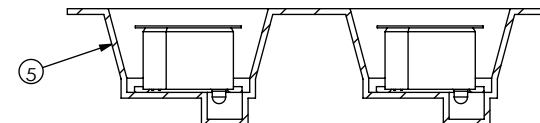


FIG 2
REF-183457-02/-03 SHOWN
SAME AS FIG 1 EXCEPT AS SHOWN



USER DIRECTION OF UN-REELING →
POCKET NOT DETAILED



A PACKAGING VIEW
(REF-183457-03 ONLY)

PROPRIETARY NOTE

THIS DOCUMENT CONTAINS INFORMATION
CONFIDENTIAL AND PROPRIETARY TO
SAMTEC, INC. AND SHALL NOT BE REPRODUCED
OR TRANSFERRED TO OTHER DOCUMENTS OR
DISCLOSED TO OTHERS OR USED FOR ANY
PURPOSE OTHER THAN THAT WHICH IT WAS
OBTAINED WITHOUT THE EXPRESSED WRITTEN
CONSENT OF SAMTEC, INC.



520 PARK EAST BLVD. NEW ALBANY, IN 47150
PHONE: 812-944-6733 FAX: 812-948-5047
e-Mail info@SAMTEC.com code 55322

SHEET SCALE: 2.5:1

DESCRIPTION:
MODIFIED .5MM DOUBLE ROW TERMINAL ASM

DWG. NO.

REF-183457-XX

BY: SHERRY W 09/29/2014

SHEET 2 OF 2