

PHYTEC Embedded Pvt.Ltd.,
Koramangala, Bangalore, India.

Project:

Dept:

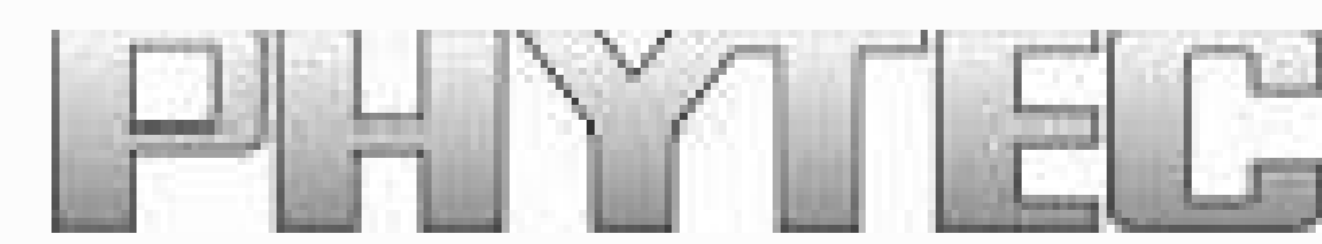
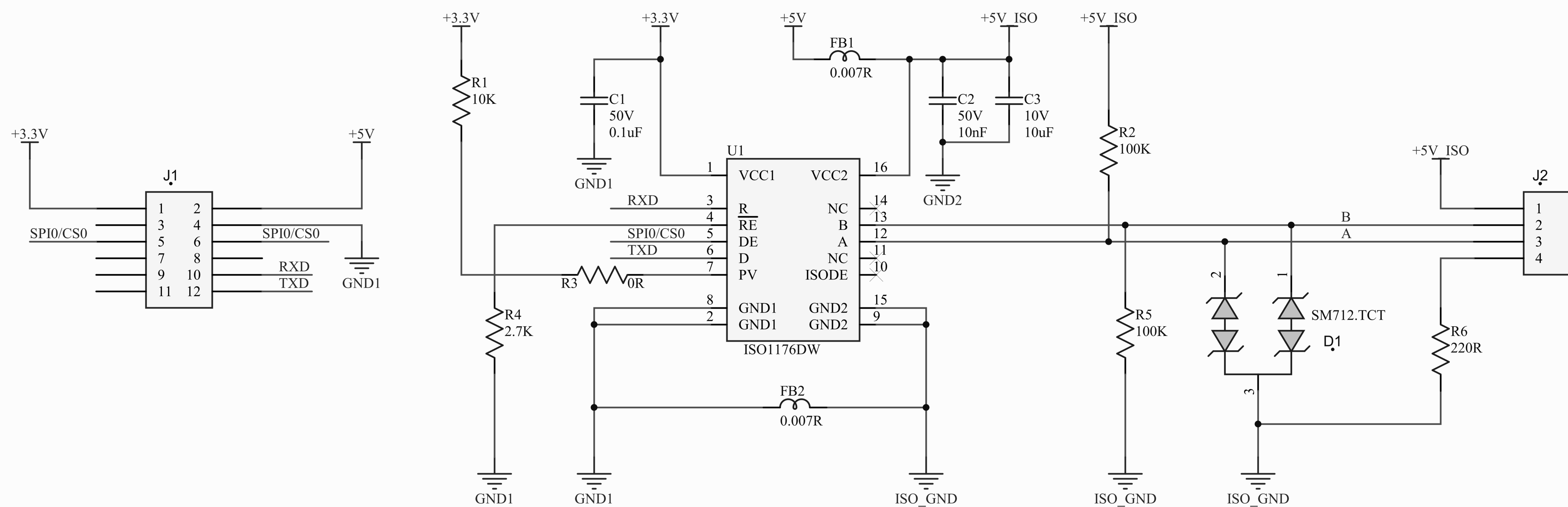
Author:

Date:

PCB-No:

Rev:

Sheet of



PHYTEC Embedded Pvt.Ltd.,
Koramangala, Bangalore, India.

Project:

Dept:

Author:

Date:

PCB-No:

Rev:

Sheet of