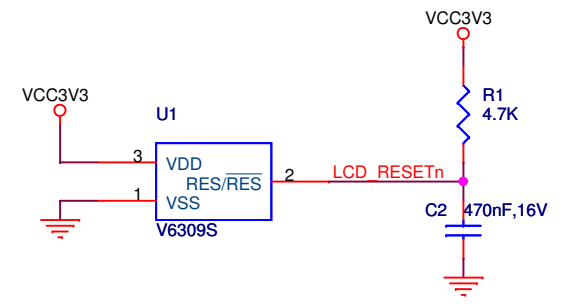
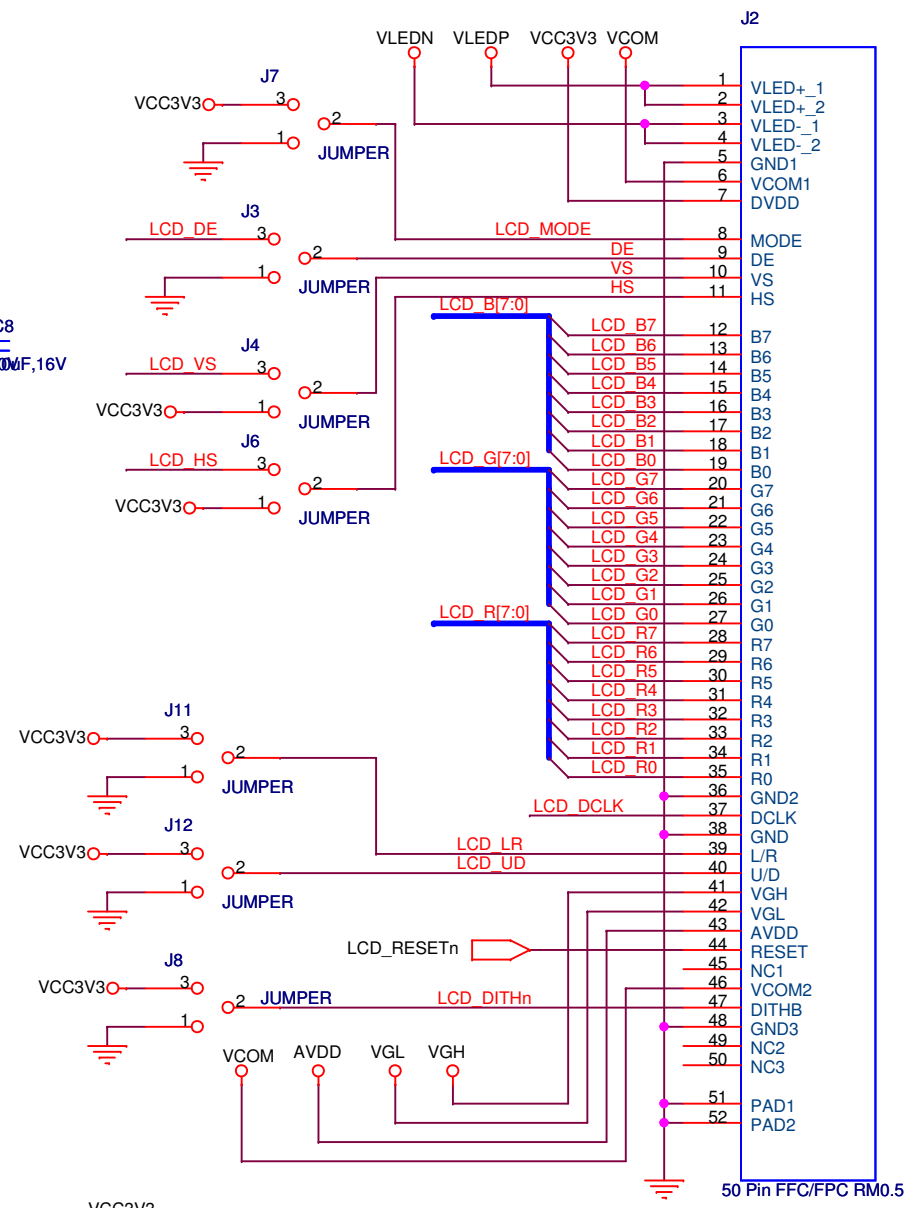
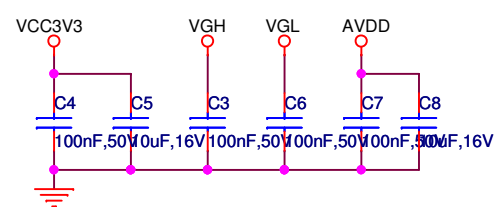
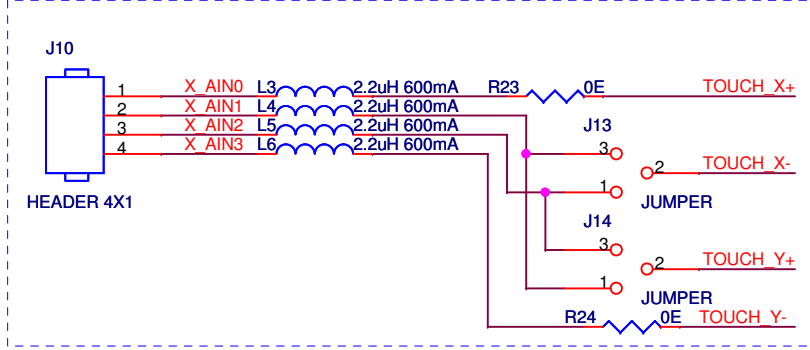
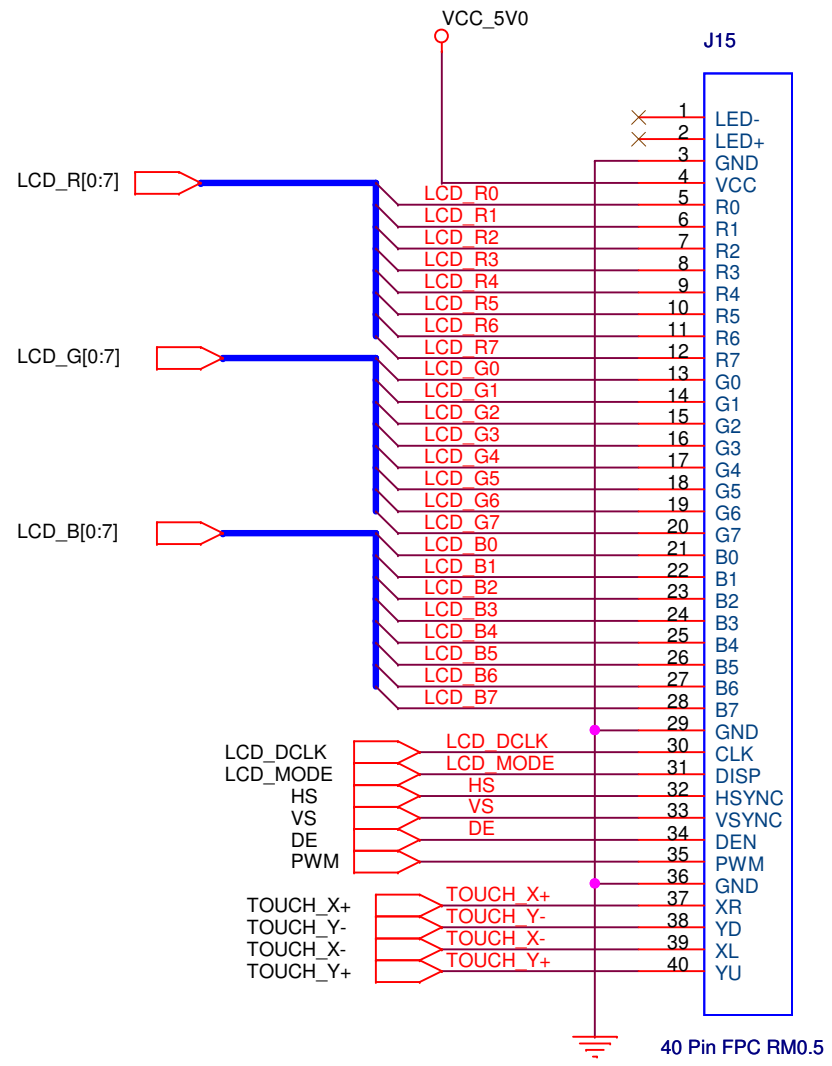


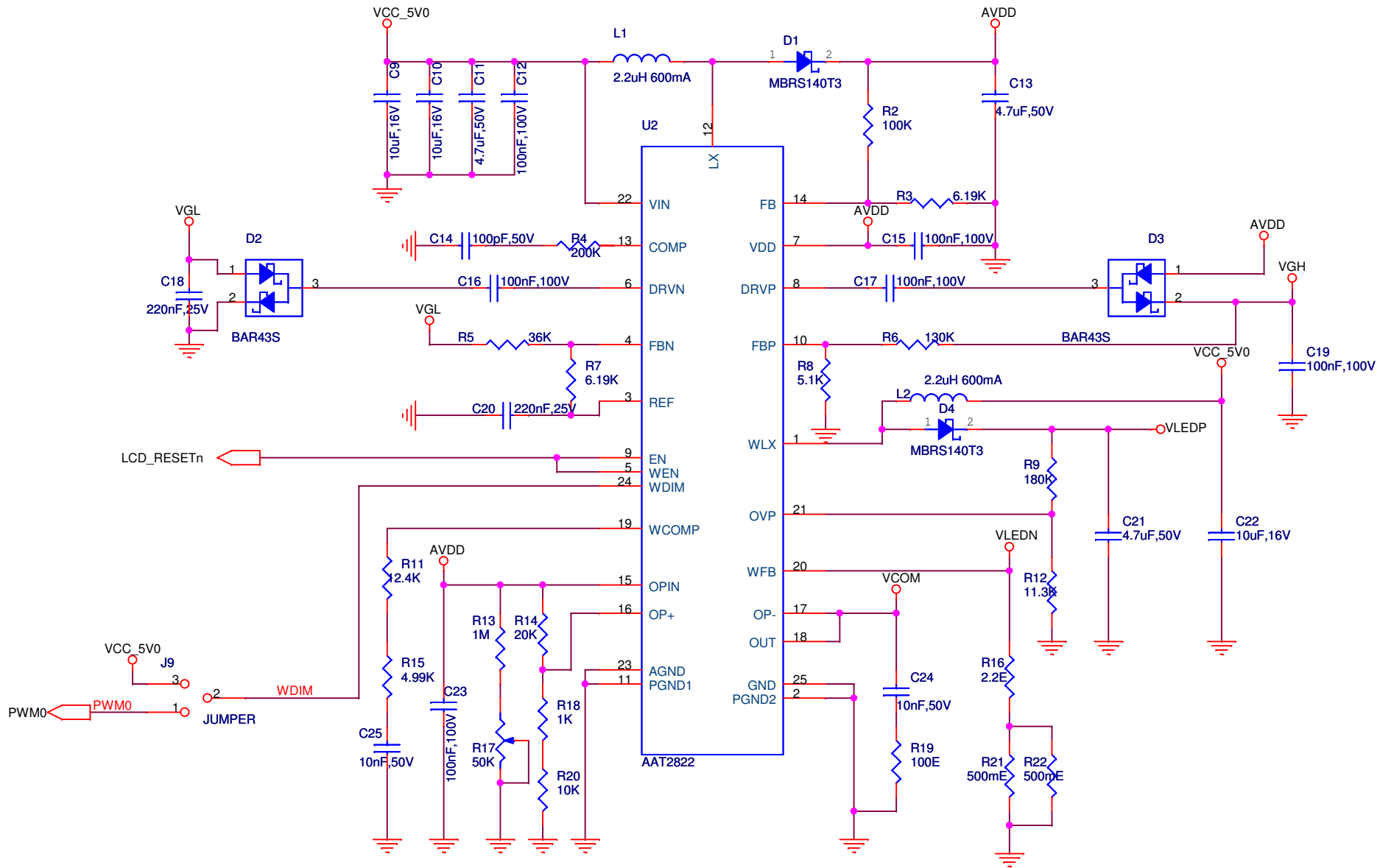
LCD INTERFACE



PHYTEC Embedded India Pvt.Ltd		
LCD CONNECTOR		
Size	Document Number	Rev
A4	<Doc>	<RevCode>
Date:	Friday, June 14, 2013	Sheet 1 of 2



Title		
<Title>		
Size	Document Number	Rev
A	<Doc>	<RevCode>
Date:	Friday, June 14, 2013	Sheet 1 of 1



PHYTEC Embedded India Pvt.Ltd			
Title			
POWER			
Size	Document Number		Rev
A4	<Doc>		<RevCode>
Date:	Friday, June 14, 2013	Sheet	2 of 2